



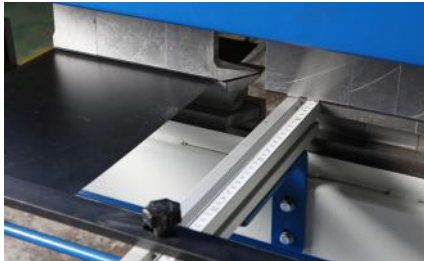
FOLDING MACHINES



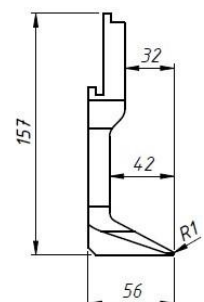
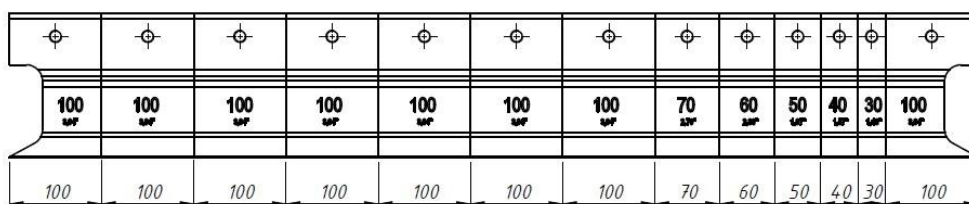
Model	Sheet Length (mm)	Steel (mm)	Stainless (mm)	Aluminium (mm)	Dimensions W / L / H (mm)	Weight (kg)
FKC 1015	1050	1,5	1	2,2	750/1300/1515	280
FKC 1212	1250	1,2	0,8	2	750/1500/1715	315

## STANDARD FEATURES

- Vertical clamping with 200 mm stroke
- Easy tool clamping system with specific Erbind design
- All segmented tools are 42CrMo4 material, 60 HRC laser induction surface hardened and grinded
- Bending angle stabilization system
- Clamping beam stabilizer arm
- Clamping beam stabilizer foot pedal
- Easier clamping re-swivel thanks to special pressure springs
- Easier folding re-swivel thanks to special return springs
- 500 mm manual back gauge system
- Tool, accessory cabinet holder



### Tool & Beam Geometry



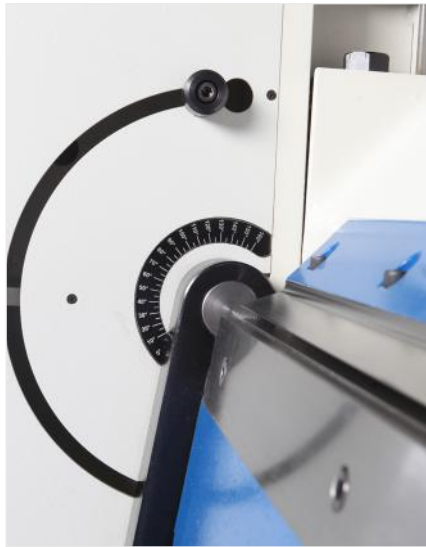
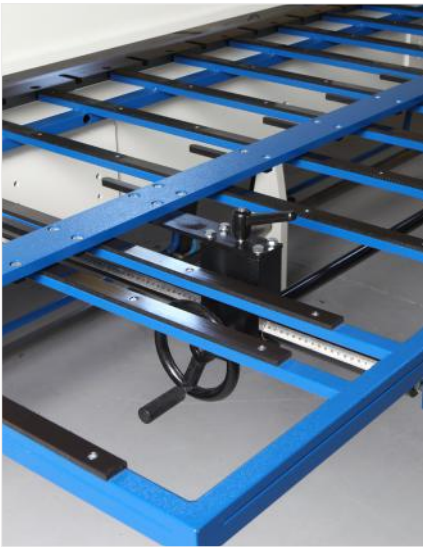




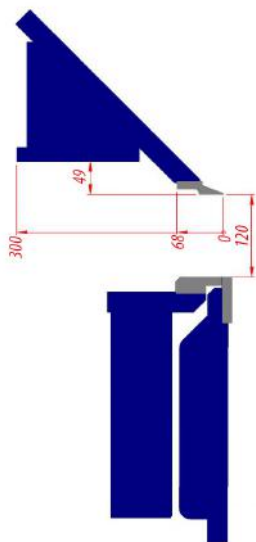
Model	Sheet Length (mm)	Steel (mm)	Stainless (mm)	Aluminium (mm)	Dimensions W / L / H (mm)	Weight (kg)
FKB 1525	1550	2,5	1,5	3,5	1350/2050/1600	1050
FKB 2020	2050	2	1,2	3	1350/2550/1600	1250
FKB 2515	2550	1,5	0,8	2,5	1350/3050/1600	1450
FKB 3212	3200	1,2	0,6	2	1350/4050/1600	2150

## STANDARD FEATURES

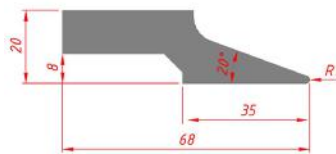
- 0-150° Folding beam angle
- 45° clamping beam geometry
- Single piece sharp nose tools . R:1 - 20°, foot width:35 mm, h:20 mm
- Single piece folding beam tools as 15 mm or 25 mm
- Manual folding beam adjustment
- Stabilization unit for clamping and folding beams
- Bottom beam central support
- Folding beam lifting support with pneumatic foot pedal



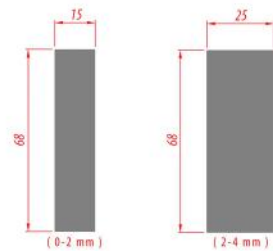
### Tool & Beam Geometry



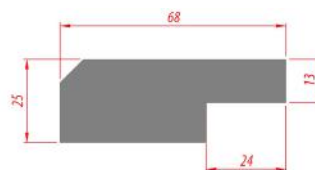
Beam Geometry



Sharp Nose



Folding Beam Tools



Bottom Clamp Tool



Model	Sheet Length (mm)	Steel (mm)	Stainless (mm)	Aluminium (mm)	Axis Speed (Y° / Z / X mm) /sec	Motor Power (Y / Z / X) (kW)	Dimensions W / L / H (mm)	Weight (kg)
FMC 2025	2050	2,5	1,5	3,5	75 / 70 / 200	2,2 / 1,1 / 0,4	1900 / 3300 / 1850	2550
FMC 2520	2550	2	1,2	3	75 / 70 / 200	2,2 / 1,1 / 0,4	1900 / 3800 / 1850	2700
FMC 3215	3200	1,5	1	2	75 / 70 / 200	2,2 / 1,1 / 0,4	1900 / 4450 / 1850	3000

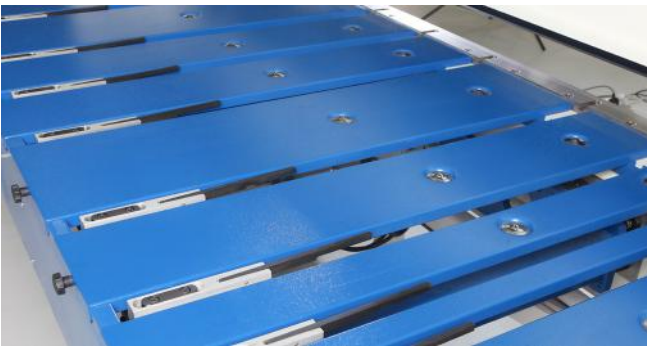
## STANDARD FEATURES



120 mm clamping beam stroke with vertical movement and 20° sharp nose tool



15" rotating touchscreen with Fastfold basic line by line cnc controller software.



750 mm motorized back gauge system and sheet support table with ball casters



0-150° folding angle



Manual folding beam adjustment as 35 mm



Front light barriers



3 switch control foot pedal



Solid lower beam tool with feather grooves

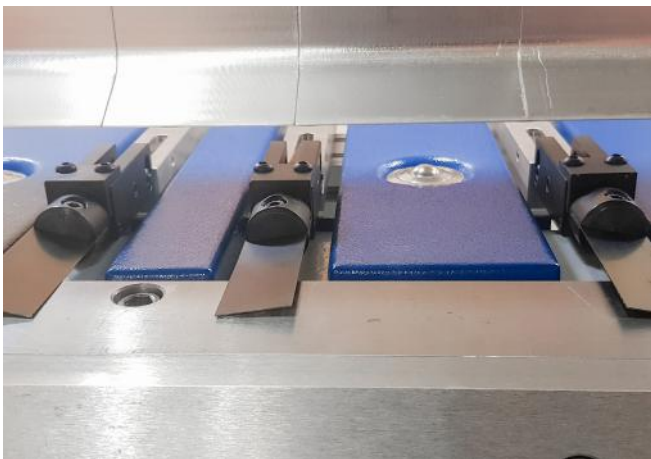




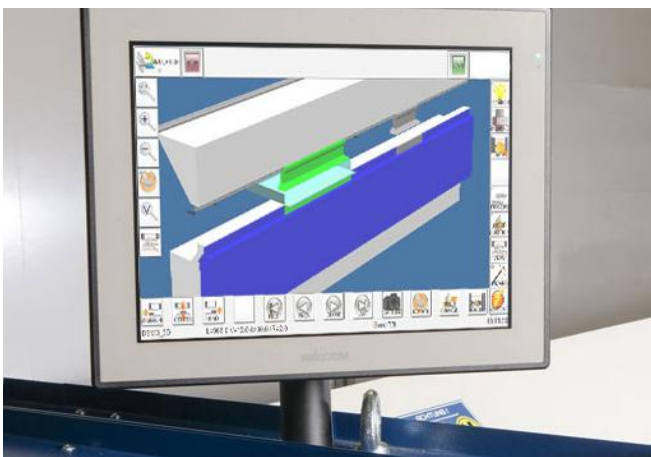
1500/2000/3000 mm motorized back gauge system and sheet support table with ball casters



60 / 90 mm high segmented goat foot tools

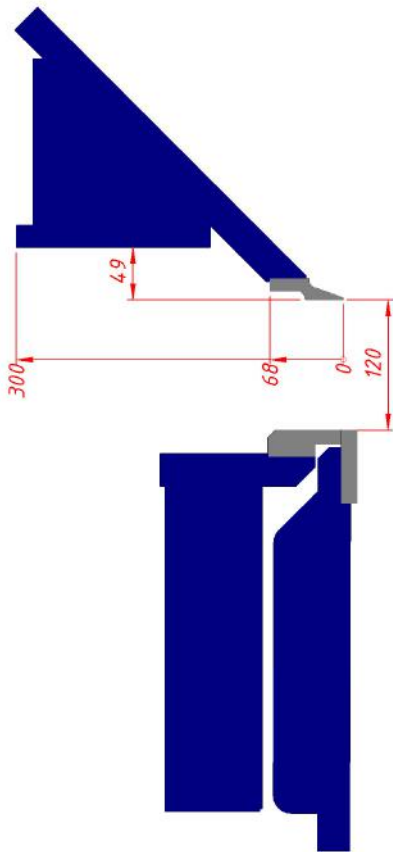


Solid lower beam tool with feather grooves

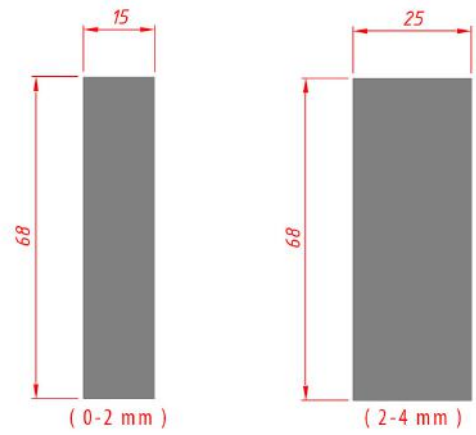


Fastfold Advanced 2D/3D CNC Grafik Kontrol Software

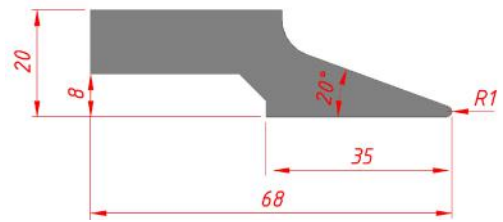




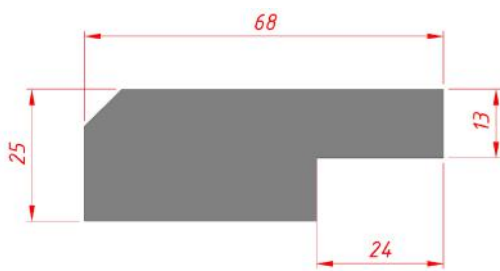
Clamping Beam Geometry



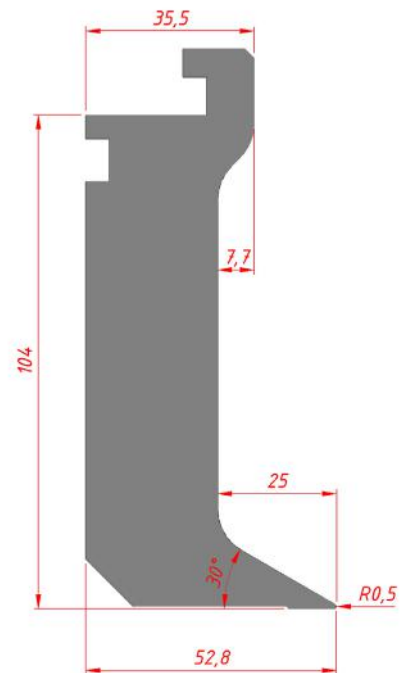
Folding Beam Tools



Sharp Nose



Bottom Clamp Tool



90mm Goat Foot Segmented Tools (Optional)

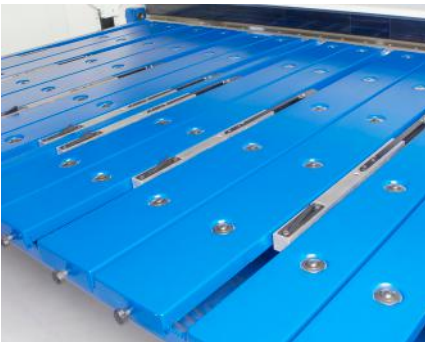


Model	Sheet Length (mm)	Steel (mm)	Stainless (mm)	Aluminum (mm)	Axis Speed (Y / Z / X mm) /sec	Motor Power (Y / Z / X) (kW)	Dimensions W / L / H (mm)	Weight (kg)
FMB 2030	2050	3	2	4	65 / 60 / 200	3 / 1,5 / 0,4	2500/3250/2100	3500
FMB 2525	2550	2,5	1,5	3,5	65 / 60 / 200	3 / 1,5 / 0,4	2500/3850/2100	4350
FMB 3220	3200	2	1,2	3	65 / 60 / 200	3 / 1,5 / 0,4	2500/4450/1900	4700
FMB 4215	4200	1,5	1	2	65 / 60 / 200	3 / 1,5 / 0,4	2500/5750/2100	8900

## STANDARD FEATURES



160 mm stroke capacity and 20° single piece sharp nose tool



1000 mm motorized back gauge system and sheet support table with ball casters



Manual folding beam adjustment as 80 mm



Front light barriers



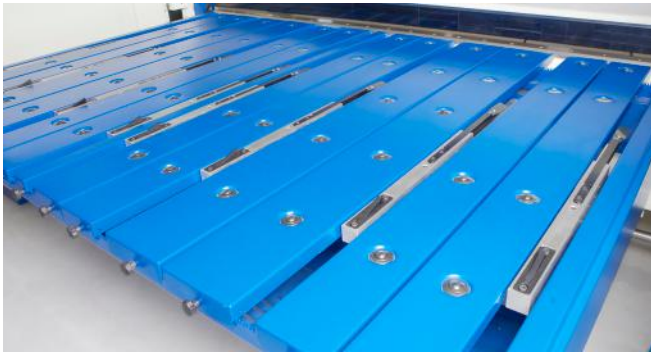
Fastfold Basic CNC line by line controller software on 15.4" touchscreen controller



Led function lights



3 switch control foot pedal



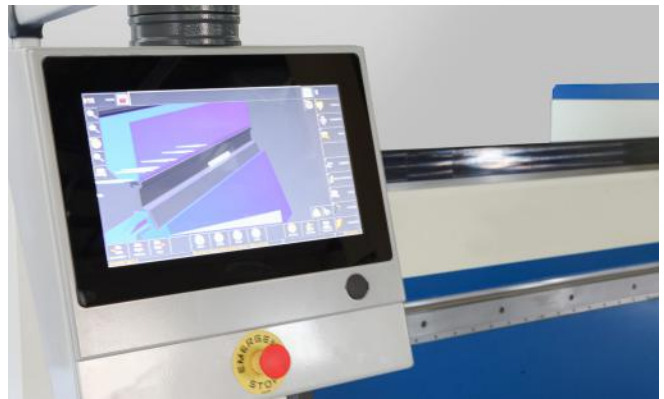
1500 / 2000 / 3000 / 4000 mm motorized back gauge system and sheet support table



L shape back gauge system (metal or with brushes)



U shape back gauge system (metal or with brushes)



Fastfold Advanced / 3D CNC graphic control software on touchscreen controller with swivel arm



Motorized folding beam adjustment as 80 mm



Solid lower beam tool with feather grooves



Manual crowning system

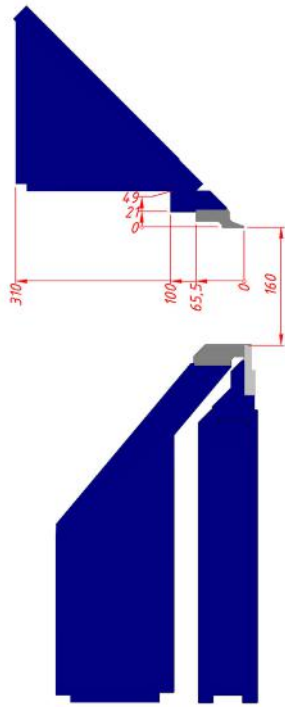


90 mm high segmented goat foot tools

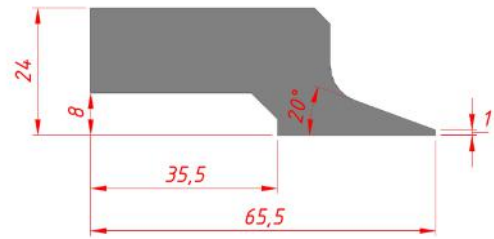


60 mm high segmented goat foot tools

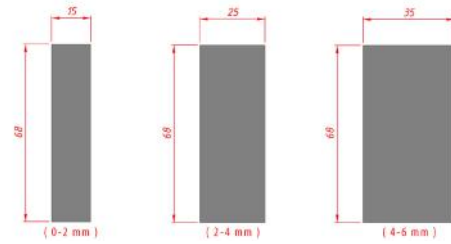




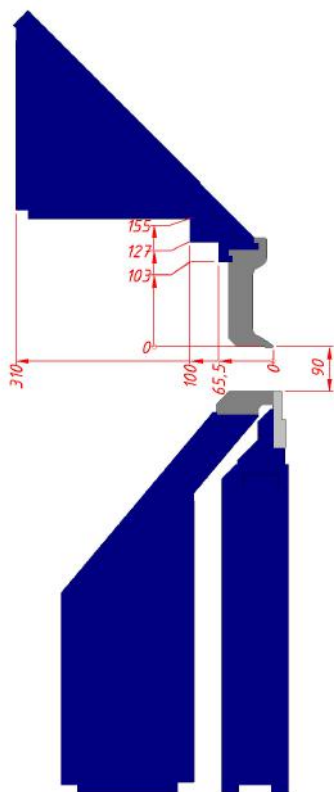
Clamping Beam Geometry



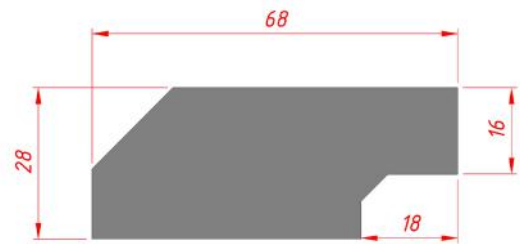
Sharp Nose



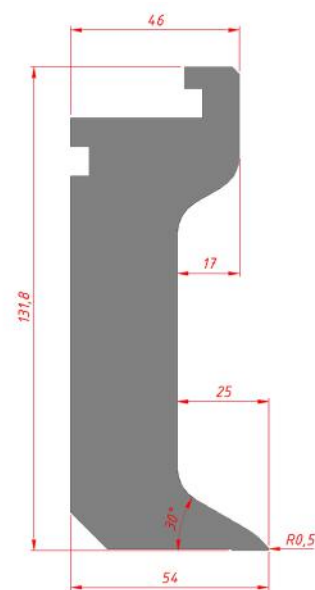
Folding Beam Tools



Beam Geometry (Optional)



Bottom Clamp Tool



Goat Foot Segmented Tools (Optional)



Model	Sheet Length (mm)	Steel (mm)	Stainless (mm)	Aluminium (mm)	Axis Speed (Y° / Z / X mm) /sec	Motor Power (Y / Z / X) (kW)	Dimensions W / L / H (mm)	Weight (kg)
FMD 2525	2550	2,5	1,5	3,5	65 / 60 / 200	3 / 1,5 / 0,4	2150/3850/1900	4650
FMD 3220	3200	2	1,2	3	65 / 60 / 200	3 / 1,5 / 0,4	2500/4450/1900	5650
FMD 4215	4200	1,5	1	2	65 / 60 / 200	3 / 1,5 / 0,4	2500/5450/1900	6850

## STANDARD FEATURES



160 mm stroke capacity on 180° rotating combi clamping beam with 2 tool stations as 90 mm high segmented goat foot tools on station 1 and 20° single piece sharp nose tool on station 2



90 mm high segmented goat foot tools, 60 HRC laser surface hardened, darkened against corrosion and laser marked



Manual folding beam adjustment as 80 mm



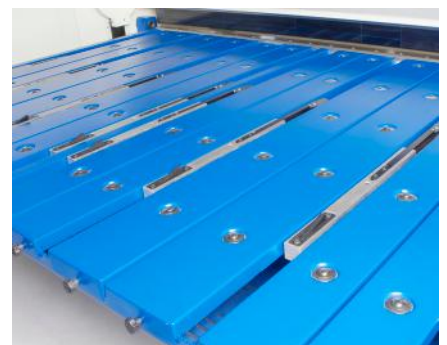
Led function lights



Front light barriers.



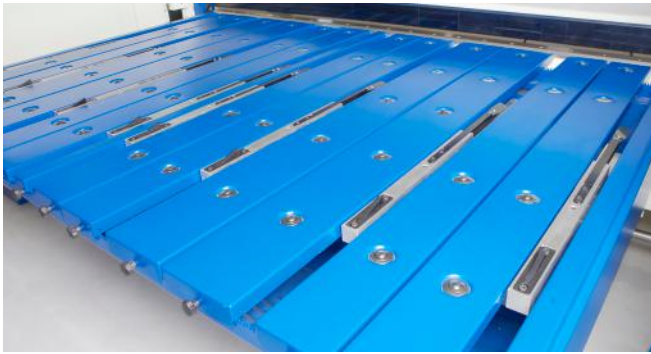
Fastfold Basic CNC line by line control software on 15,6" touchscreen controller with swivel arm



1000 mm motorized back gauge system and sheet support table with ball casters



3 switch control foot pedal



1500 / 2000 / 3000 / 4000 mm motorized back gauge system and sheet support table



L shape back gauge system (metal or with brushes)



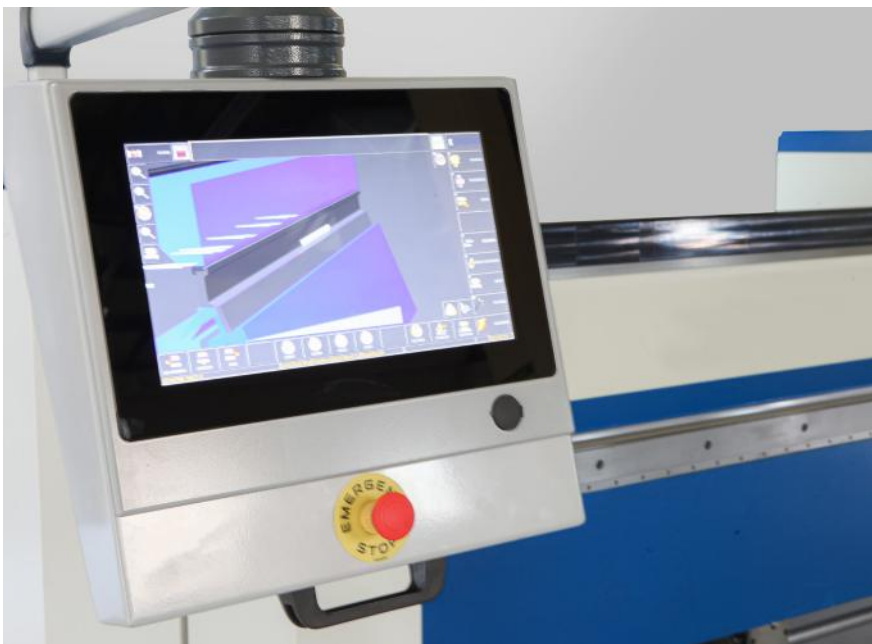
U shape back gauge system (metal or with brushes)



Manual crowning system



Solid lower beam tool with feather grooves

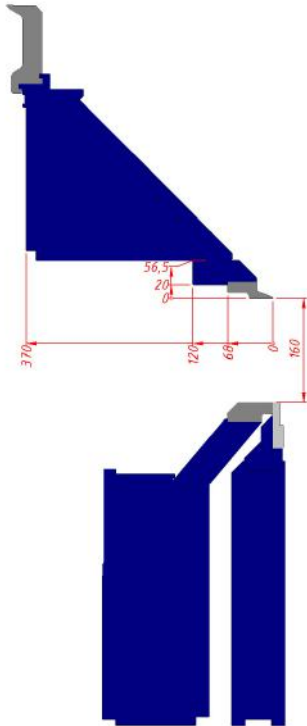


Fastfold Advanced / 3D CNC graphic control software on touchscreen controller with swivel arm

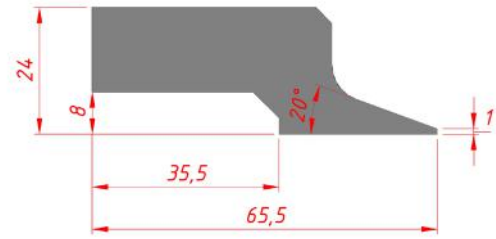


Motorized folding beam adjustment as 80 mm

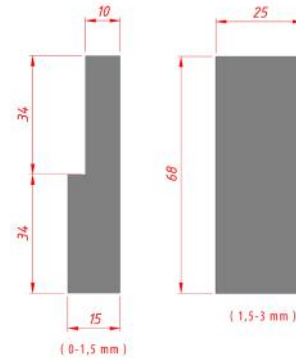




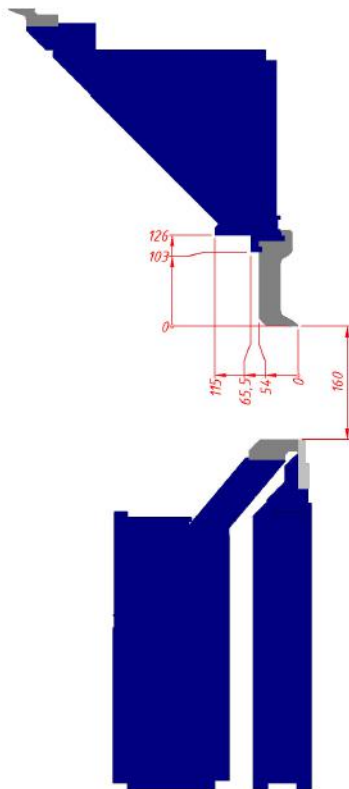
Sharp Nose Clamping Beam Geometry



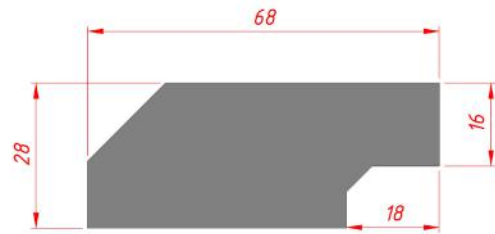
Sharp Nose



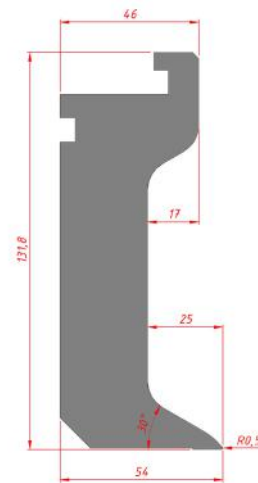
Folding Beam Tools



Goat Foot Clamping Beam Geometry



Bottom Clamp Tool

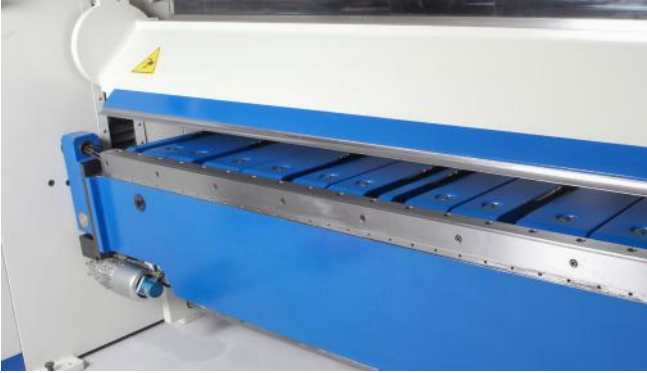


Goat Foot Segmented Tools (Optional)



Model	Sheet Length (mm)	Steel (mm)	Stainless (mm)	Aluminium (mm)	Axis Speed ( Y / Z / X mm) /sec	Motor Power ( Y / Z / X ) (kW)	Dimensions W / L / H (mm)	Weight (kg)
FME 3240	3200	4	2,5	6	65 / 60 / 200	2×3 / 2×3 / 0,4	2300/4750/2100	7400
FME 4225	4200	2,5	1,5	3,5	65 / 60 / 200	2×3 / 2×4 / 0,4	2300/5750/2100	7950

## STANDARD FEATURES



Clamping beam with 250 mm opening height and single rail sharpnose tool.



Fastfold Basic CNC line by line software on 15.4" touchscreen controller with swivel arm



Front light barriers



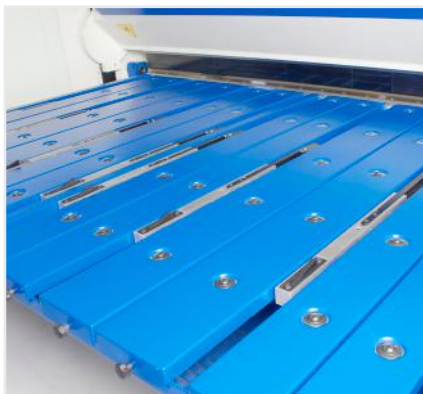
Led function lights



Dual drive clamping beam with ball screw spindle system for more clamping power.



3 switch control foot pedal



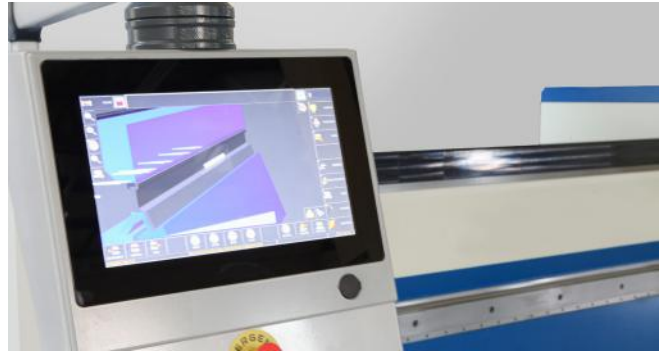
1000 mm motorized back gauge system and sheet support table with ball casters



Manual crowning system



1500 / 2000 / 3000 / 4000 mm motorized back gauge system and sheet support table with ball casters



Fasfold Advanced / 3D CNC graphic control software on 15.4" touchscreen controller with swivel arm



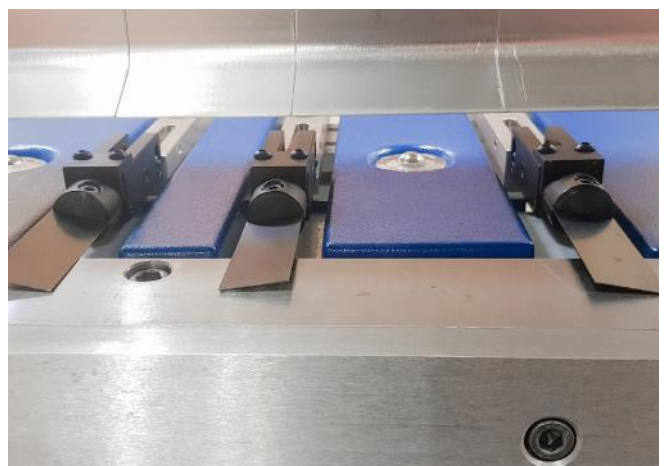
L shape sheet support table (metal or with brushes)



U shape sheet support table (metal or with brushes)

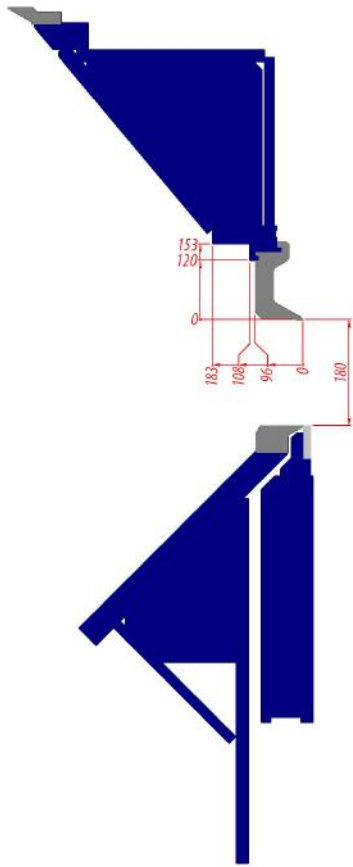


120 mm high segmented goat foot tools

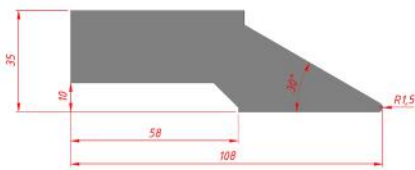


Solid lower beam tool and feather grooves

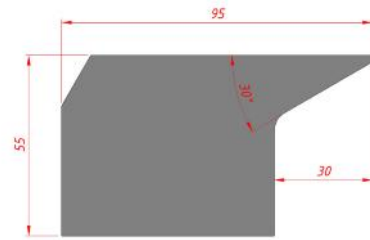




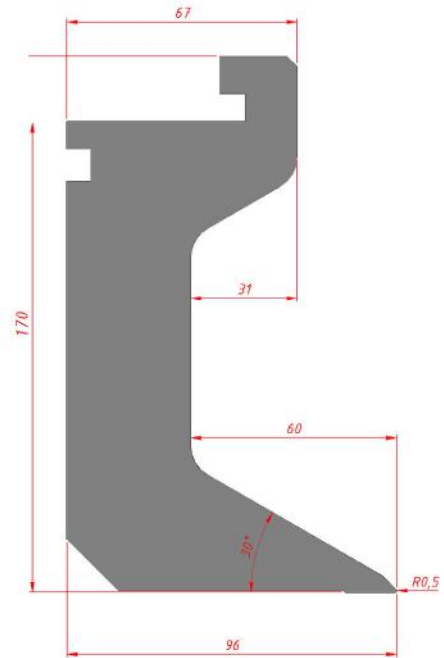
Goat Foot Clamping Beam Geometry



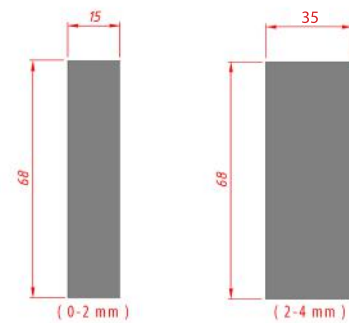
Sharp Nose



Bottom Clamp Tool



Goat Foot Segmented Tools (Optional)



Folding Beam Tools



Model	Sheet Length (mm)	Steel (mm)	Stainless (mm)	Aluminium (mm)	Axis Speed (Y° / Z / X mm) /sec	Motor Power (Y / Z / X) (kW)	Dimensions W / L / H (mm)	Weight (kg)
FMA 2040	2050	4	3	6	65 / 40 / 200	2×3 / 2×3 / 0,4	2500/3550/2100	5700
FMA 2535	2550	3,5	2,5	5	65 / 40 / 200	2×3 / 2×3 / 0,4	2500/4050/2100	6300
FMA 3230	3200	3	2	4	65 / 40 / 200	2×3 / 2×3 / 0,4	2500/4750/2100	7100
FMA 4225	4200	2,5	1,5	3,5	65 / 40 / 200	2×3 / 2×3 / 0,4	2500/5750/2100	8050

## STANDARD FEATURES



250 mm stroke capacity on 180° rotating combi clamping beam with 2 tooling stations as 120 mm high segmented goat foot tools on station 1 and 20° single piece sharp nose tool on station 2



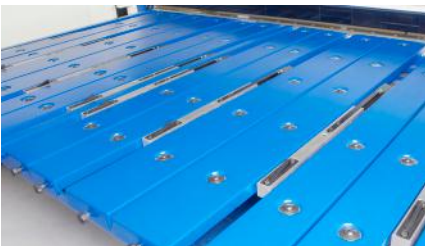
Front light barriers



Led function lights



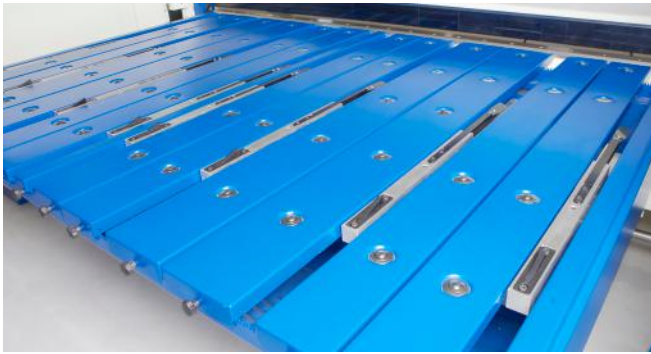
3 switch kontrollü ayak pedali.



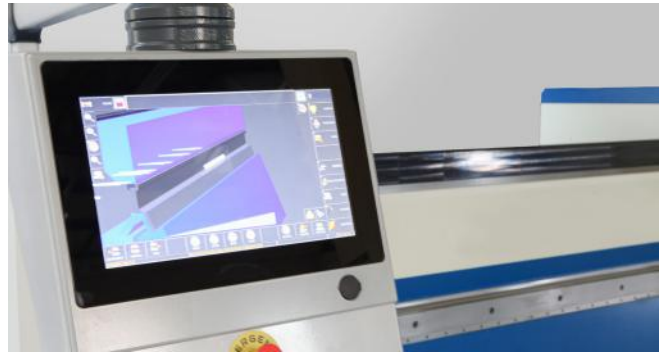
1500 mm motorized back gauge and sheet support table with ball casters



Fastfold Basic CNC line by line controller software on 15.4" touchscreen controller with swivel arm



2000 / 3000 / 4000 mm motorized back gauge system with sheet support table



Fastfold Advanced / 3D CNC graphic control software on 15.6 " touchscreen controller with swivel arm



Manual crowning system.



Motorized folding beam adjustment (A axis)

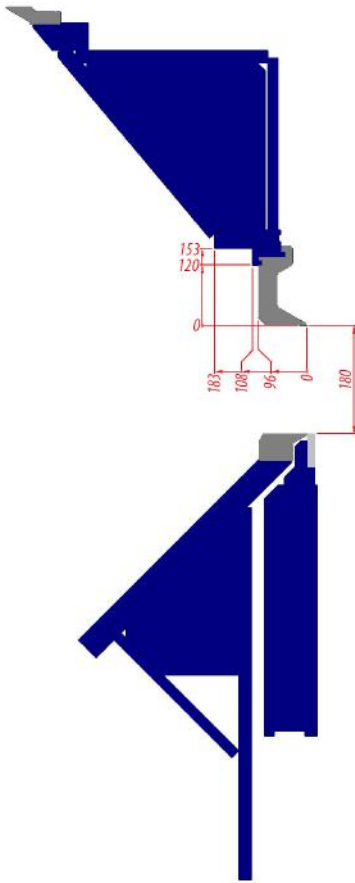


L shape back gauge system (metal or with brushes)

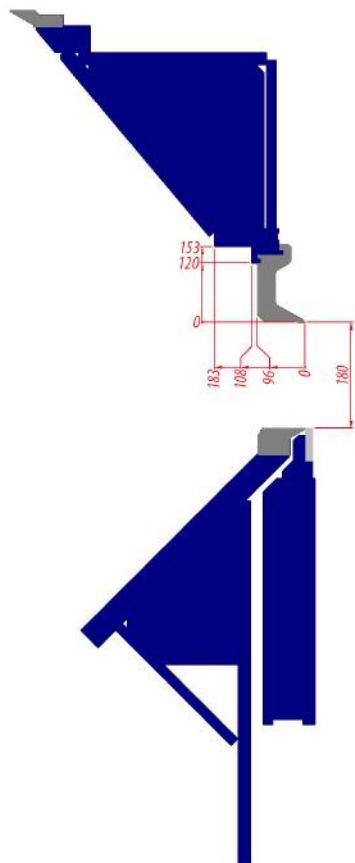


U shape back gauge system (metal or with brushes)

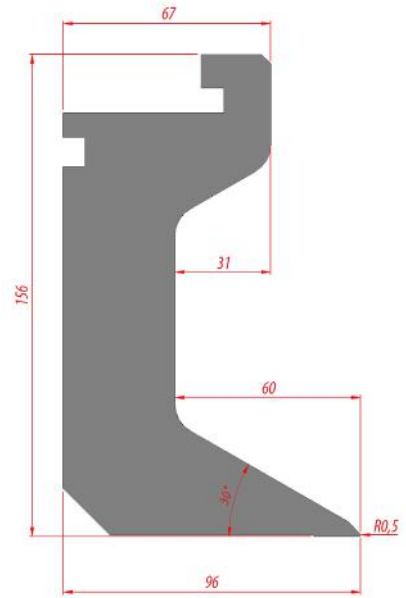




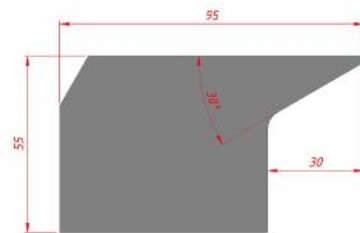
Sharp Nose Beam Geometry



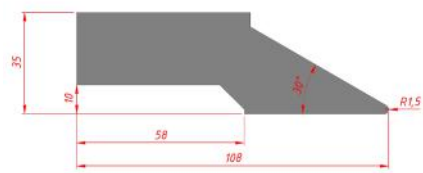
Goat Foot Beam Geometry



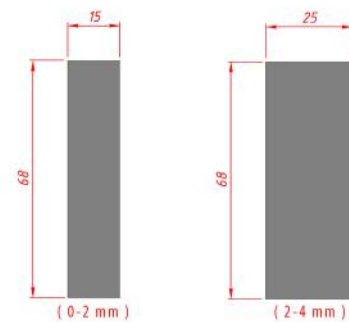
Goat Foot



Bottom Clamp Tool



Sharp Nose



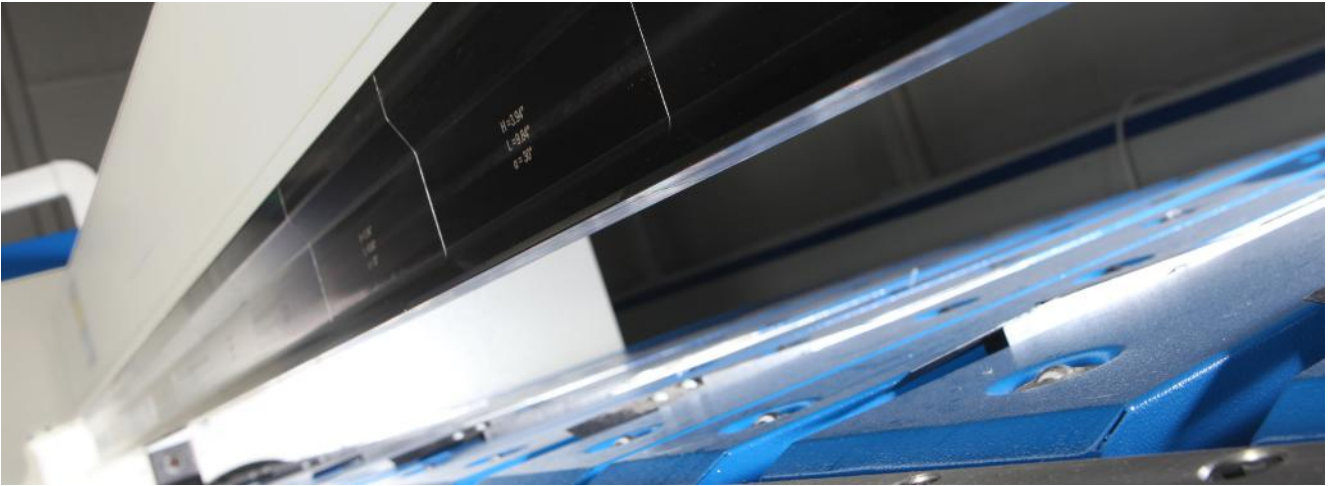
Folding Beam Tools

# FSA | CNC Servo Folding Machine



Model	Sheet Length (mm)	Steel (mm)	Stainless (mm)	Aluminium (mm)	Axis Speed ( Y / Z / X mm ) /sec	Motor Power ( Y / Z / X ) (kW)	Dimensions W / L / H (mm)	Weight (kg)
FSA 2050	2050	5	3,5	7	85 / 60 / 200	2X3 / 2X3 / 0,75	2300/3750/2100	5950
FSA 2545	2550	4,5	3	6,5	85 / 60 / 200	2X3 / 2X3 / 0,75	2300/4250/2100	6650
FSA 3240	3200	4	3	6	85 / 60 / 200	2X3 / 2X3 / 0,75	2300/4950/2100	7200
FSA 4230	4200	3	2	4,5	85 / 60 / 200	2X3 / 2X3 / 0,75	2300/5950/2100	8150

## STANDARD FEATURES



Clamping beam with 350 mm stroke capacity and 170 mm high, segmented goat foot tools



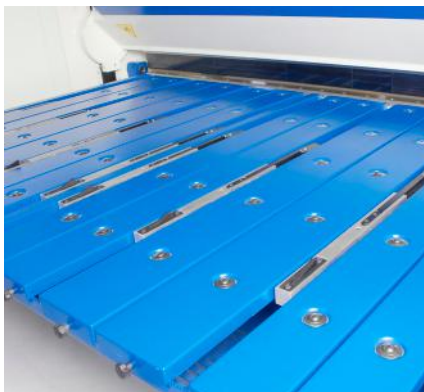
Front light barriers



Led function lights



3 switch control foot pedal



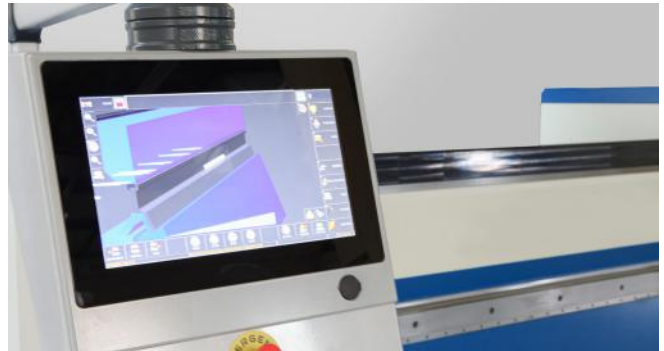
1500 mm motorized back gauge system and sheet support table with ball casters



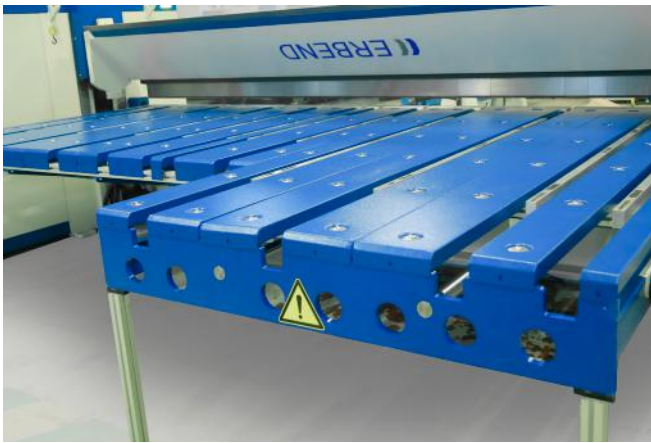
Fastfold Basic CNC line by line control software on 22" touchscreen controller with swivel arm



2000 / 3000 / 4000 mm motorized back gauge system and sheet support table



Fastfold Advanced / 3D CNC graphic control software on 22" touchscreen controller with swivel arm



L shape back gauge system (metal or with brushes)



U shape back gauge system (metal or with brushes)

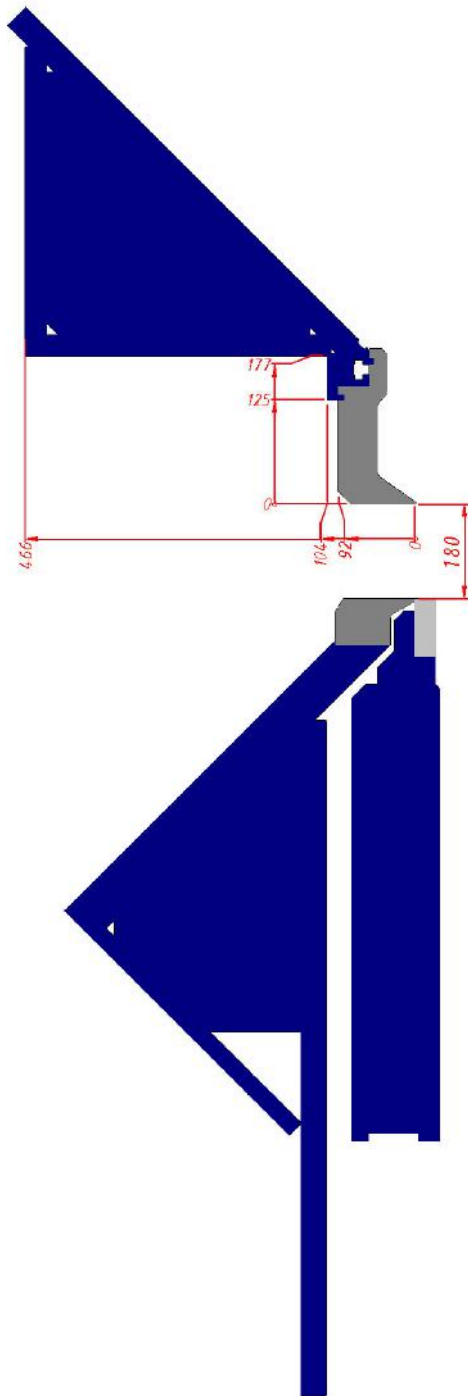


Manual crowning system

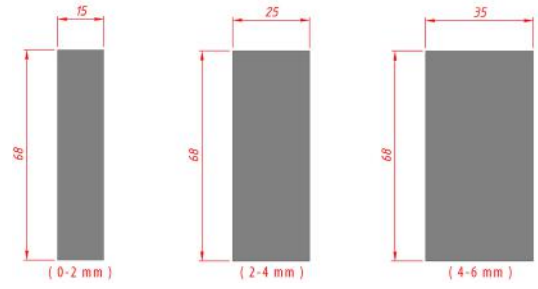


Motorized folding beam adjustment (A axis)

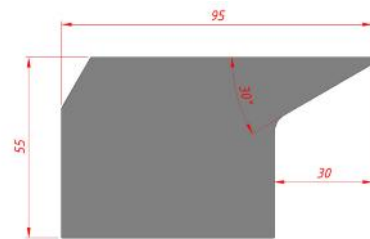




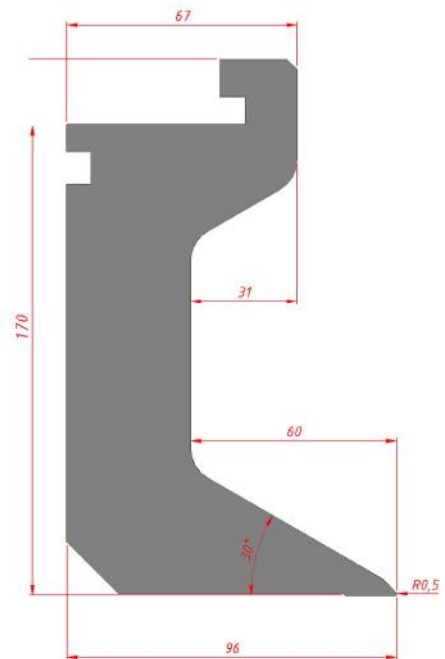
Beam Geometry



Folding Beam Tools



Bottom Clamp Tool



Goat Foot



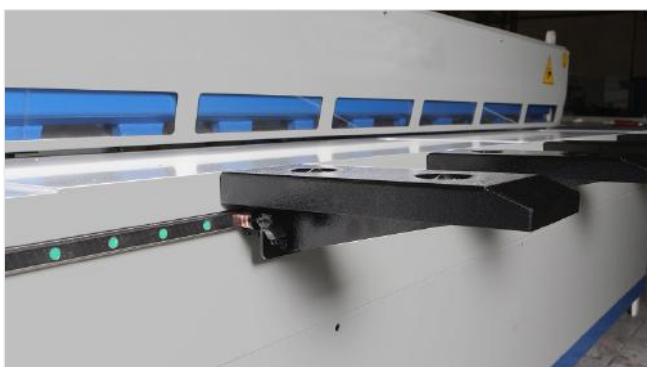
### STANDARD FEATURES

- 750 mm NC motorized back gauge system
- ELGO P40T touchscreen digital NC controller unit
- Back light barriers and finger protection cover in front side.
- Sliding front sheet support arms
- Shadow light and cutting line enlightenment
- Suitable for CE norms

### OPTIONAL FEATURES

- 1000 mm NC motorized back gauge system
- 0-180° angular cutting device
- Pneumatic sheet support system
- Blade set as spares

Model	Sheet Length	Steel	Stainless	Aluminium	Dimensions	Weight (kg)
FMS 1530	1550 mm	3 mm	1,5 mm	4,5 mm	1700 / 2650 / 1300	1200
FMS 1540	1550 mm	4 mm	2,5 mm	6 mm	1700 / 2650 / 1300	1300
FMS 2030	2050 mm	3 mm	1,5 mm	4,5 mm	1700 / 2650 / 1300	1700
FMS 2040	2050 mm	4 mm	2,5 mm	6 mm	1700 / 3000 / 1300	1800
FMS 2525	2550 mm	2,5 mm	1,5 mm	4 mm	1700 / 3150 / 1300	2200
FMS 2540	2550 mm	4 mm	2,5 mm	6 mm	1700 / 3150 / 1300	2300
FMS 3020	3050 mm	2 mm	1,2 mm	3 mm	1700 / 3650 / 1300	3100
FMS 3040	3050 mm	4 mm	2,5 mm	6 mm	1700 / 3650 / 1300	3200



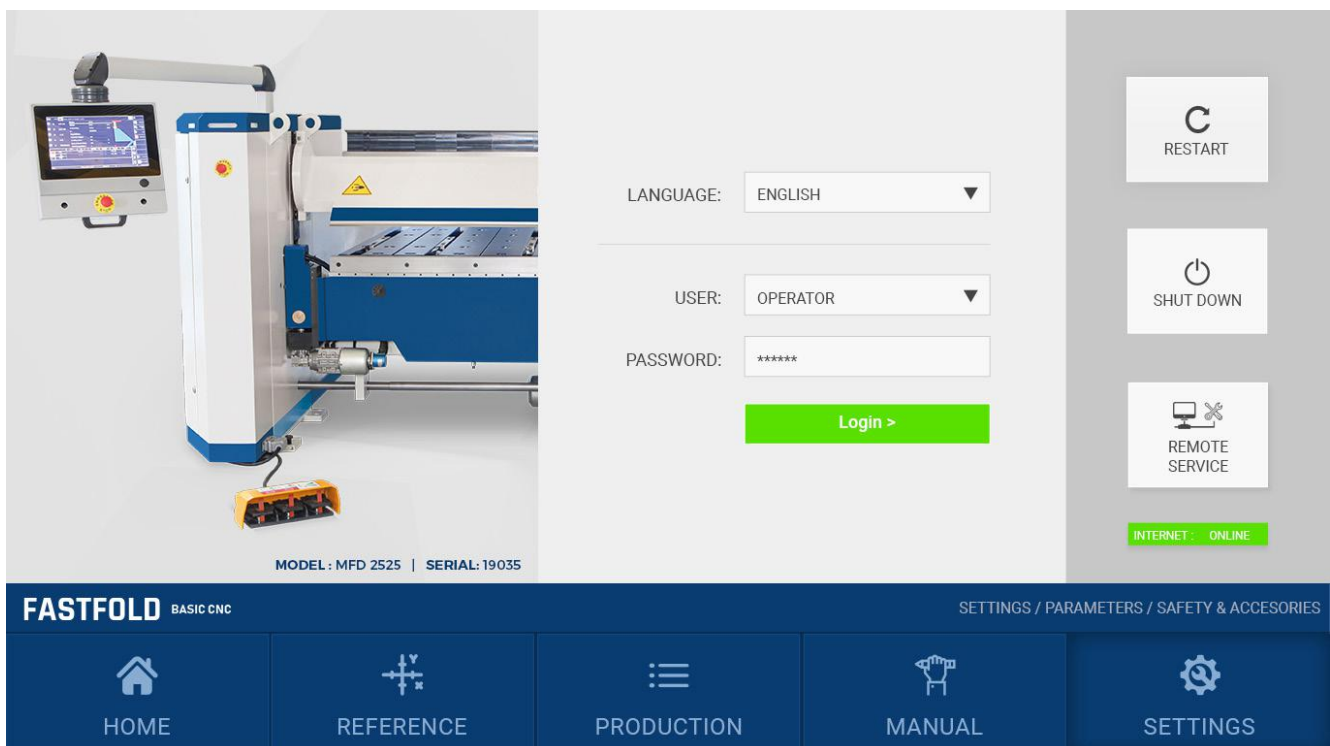
# SOFTWARE

## BASIC

CNC LINE BY LINE SOFTWARE

FASTFOLD BASIC, is a flexible software on the programming of folding line by line, entering the axis values numerically.

All our models are equipped with FASTFOLD BASIC as a standard and it is a practical software that you can easily perform all folding processes such as normal bending, multi-stroke radius bending.





FASTFOLD BASIC CNC

PART NAME: DEMO 1 MATERIAL: ALUMINIUM SHEET LENGTH: 2500 mm THICKNESS: 1 mm PIECE COUNTER: 0000 RESET

NUMBER OF STEP	C AXIS STATION	BEND TYPE	BACK GAUGE POSITION (mm)	FOLDING ANGLE (°)	CLAMP BEAM UP (mm)	CLAMP BEAM DOWN (mm)	RADIUS STEP NUMBER	RADIUS STEP LENGTH
1		L	300	90	50	1	-	-
2		L	250	90	50	1	-	-
3		C	220	30	50	1	10	2
4		C	150	150	50	1	-	-
5		L	0.0	0.0	50	2	-	-

ADD NEW STEP

Z 50 mm Y 45° X 220 mm A 1 mm

FASTFOLD BASIC CNC SETTINGS / PARAMETERS / SAFETY & ACCESSORIES

HOME REFERENCE PRODUCTION MANUAL SETTINGS

PRESS: SAVE PART, SAVE AS, DELETE PART, NEW PART, LOAD PART, START, 7-9, C, 4-6, BCK, 1-3, ENTER, +/-, 0, .

FASTFOLD BASIC CNC

CLAMPING BEAM TOOLS: STATION 1, STATION 2

FOLDING BEAM TOOLS

CURRENT TOOL CONFIG: SN 20, OF 90, FT 15

SAVE & EXIT (Green checkmark), CANCEL & BACK (Red X)

FASTFOLD BASIC CNC SETTINGS / PARAMETERS / SAFETY & ACCESSORIES

HOME REFERENCE PRODUCTION MANUAL SETTINGS

MATERIAL DATABASE ANGLE CORRECTION

MILD STEEL GALVANIZED STEEL ALUMINIUM PAINTED STEEL PAINTED ALUMINIUM

STAINLESS 304 STAINLESS 316 COPPER BRASS HARD ALLOY / SPECIAL

FASTFOLD BASIC CNC SETTINGS / PARAMETERS / SAFETY & ACCESSORIES

HOME REFERENCE PRODUCTION MANUAL SETTINGS

# ADVANCED

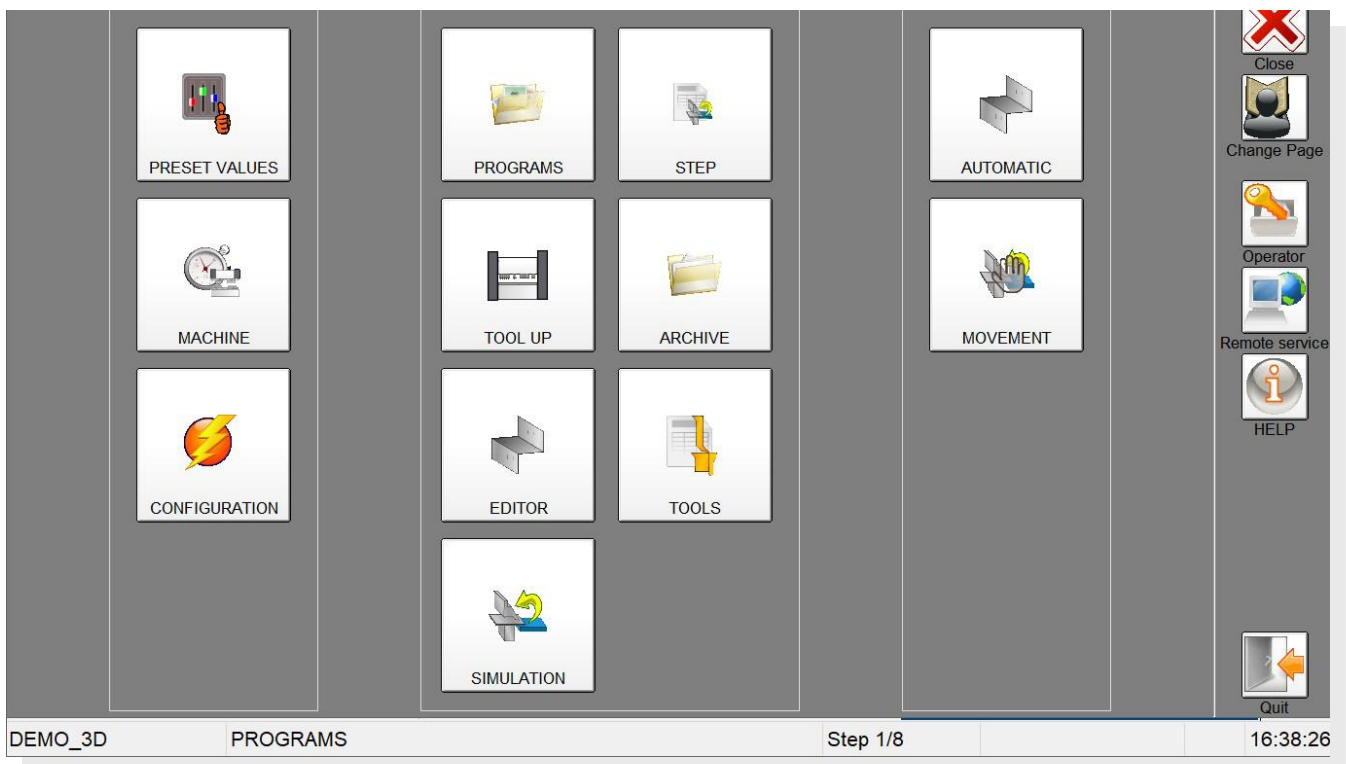
CNC GRAPHICAL 2D/3D SOFTWARE

FASTFOLD ADVANCED, is the ultimate cnc graphic controller software specifically designed for ERBEND motorized folding machines which provides a full and modern control capability to its user with various solutions and user friendly interface for any kind of folding operations.

15.6" or 22" tft panel capacitive touchscreen all-in one industrial pc controller on swivel arm.

16 GB hard disk space which allows you to save unlimited part or tool data.

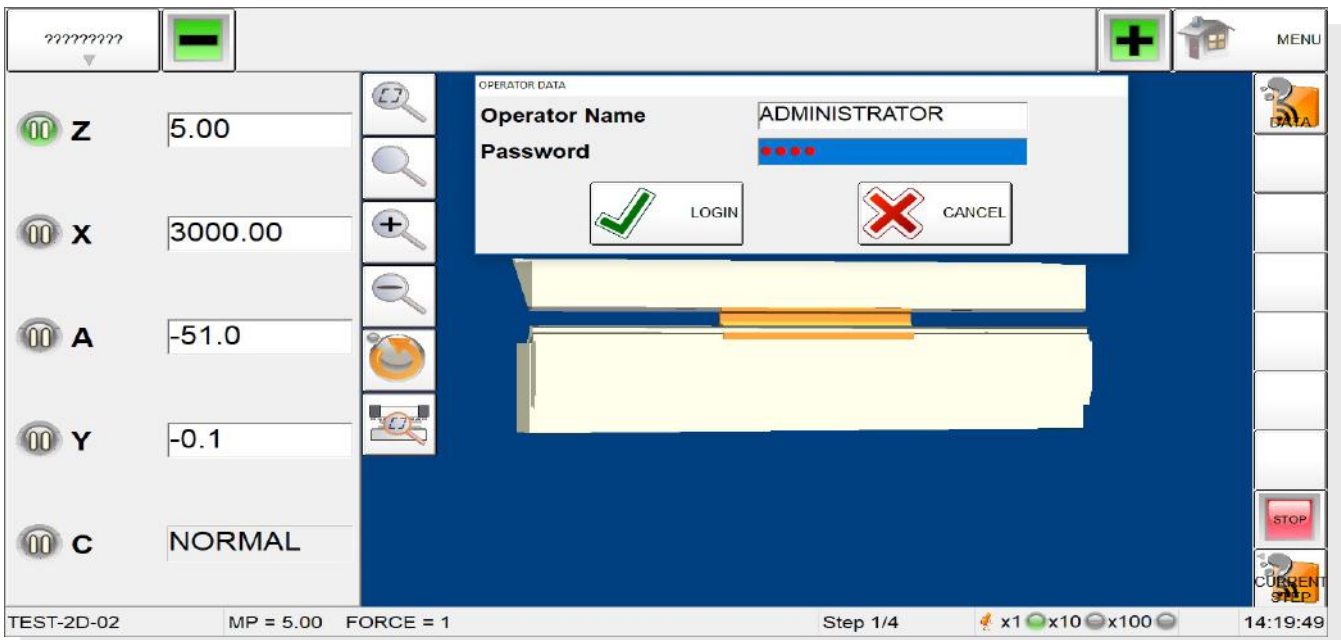
All main worldwide languages are supported.



Main Menu



Standard LBL Software



Admin user authorization is protected by special password.

PROGRAMS STOP START FASTECH MACHINERY

	NAME	TYPE	THICKNESS	MATERIAL	DATE
1	COLLISION	2DPLUS	1.00	STEEL	16-08-2019 16.31
2	DEMO_2D	2DPLUS	2.00	STEEL	17-04-2019 13.41
3	DEMO_3D	3D	2.00	STEEL	17-04-2019 13.57
4	RADIUS	2DPLUS	0.80	ALUMINIUM	23-07-2019 17.50
5	TEST 1	2DPLUS	1.00	STEEL	23-07-2019 17.42
6	TRIAL 1	3D	1.00	STEEL	30-07-2019 14.26

Thickness  mm Resistance  kg/mm<sup>2</sup>

Material

DEMO\_3D PROGRAMS Step 1/8 16:36:14

**Programs Menu:** You can create a new part or select pre-programmed parts from the list, you can select or edit the existing part's material type, thickness or sheet width.

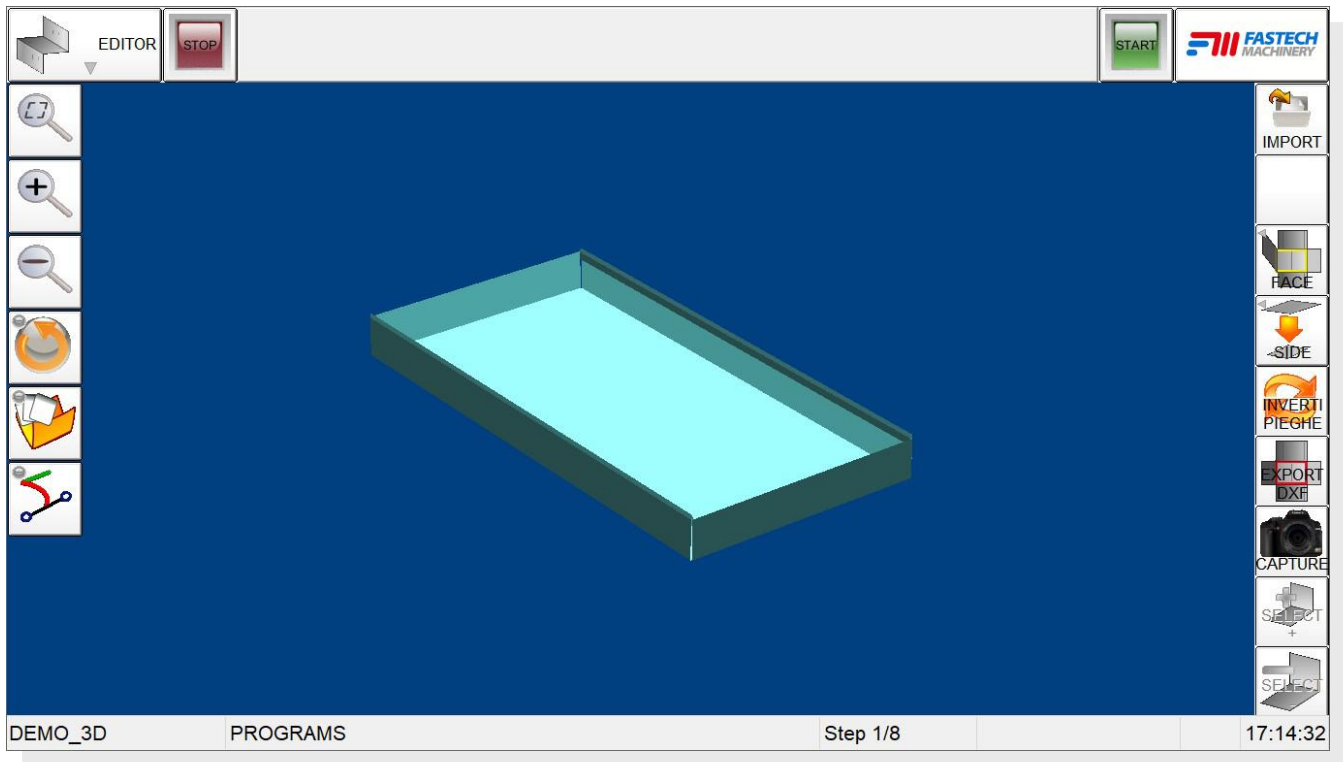
EDITOR STOP Quick Drawing Mode Enabled START MENU

	Type	Len/Rad	Angle	Step
1	L	73.0		
2	L	104.0	90.0	
3	L	340.0	90.0	
4	C	80.0	120.0	4.9
5				

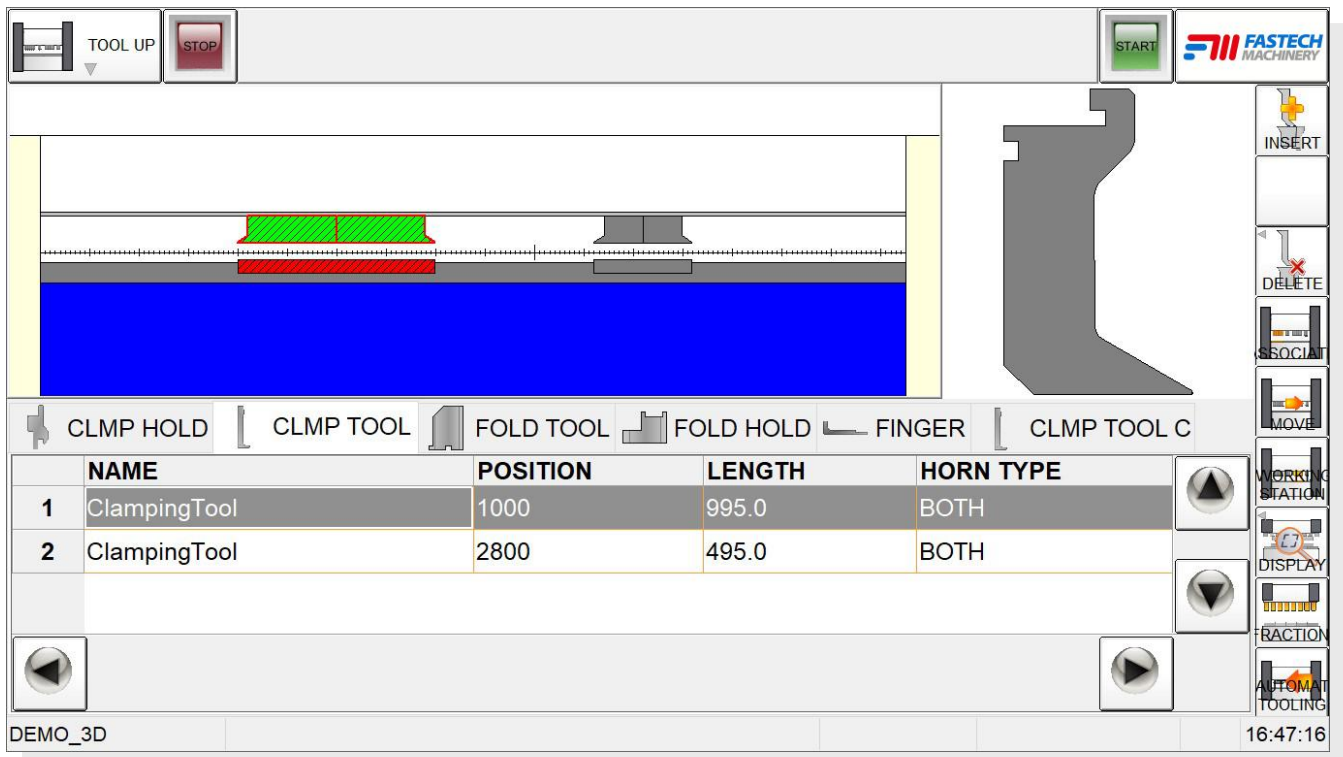
PROGRAMS INSERT BEND DELETE EXPORT DXF 13:28:03

**2D Editor:** You can create a new bending programme by drawing and design line by line and by giving required dimensions and visualize it in 2D view. You can create standard bends, radius bends or open/closed hemming bends.

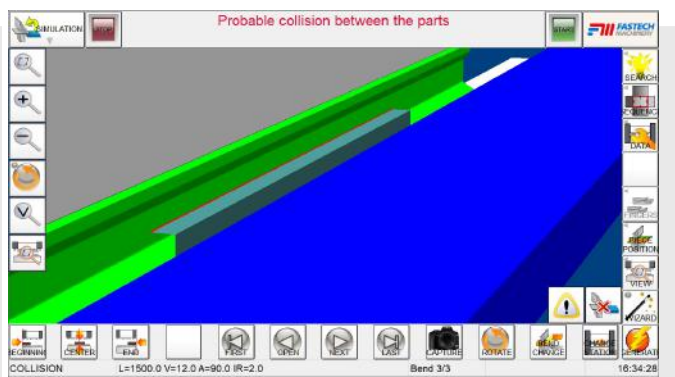
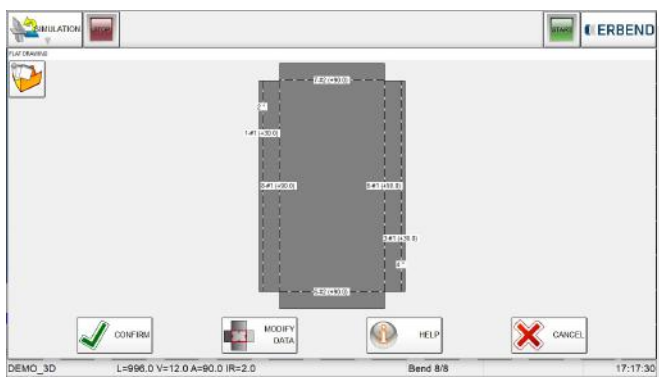
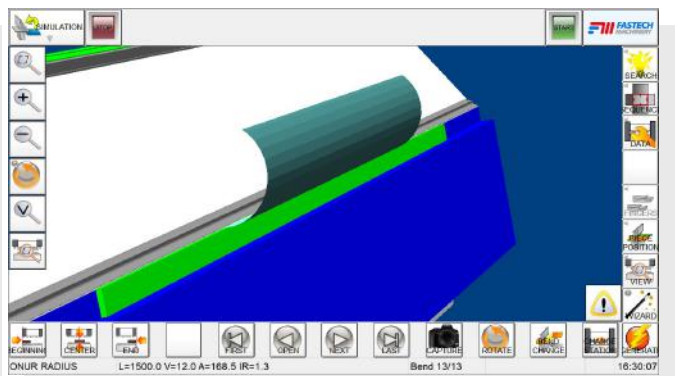
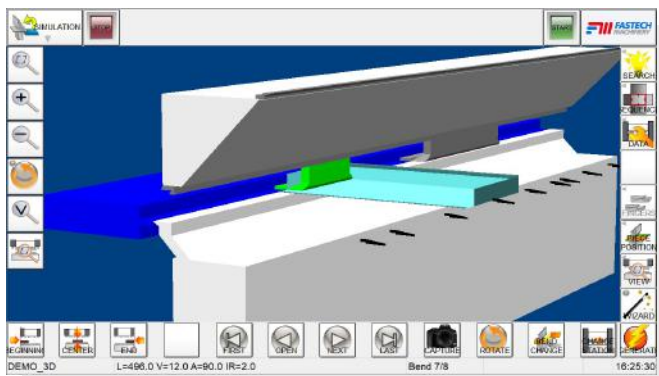
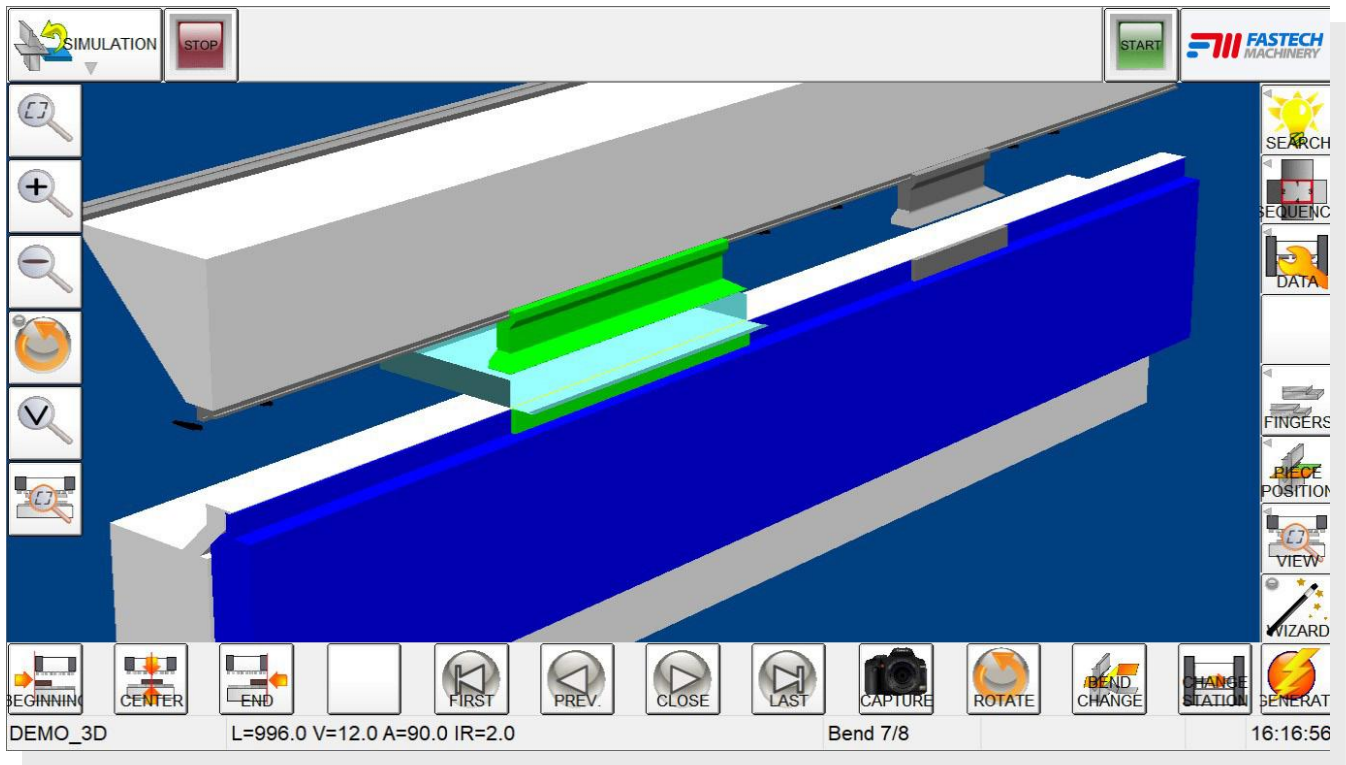




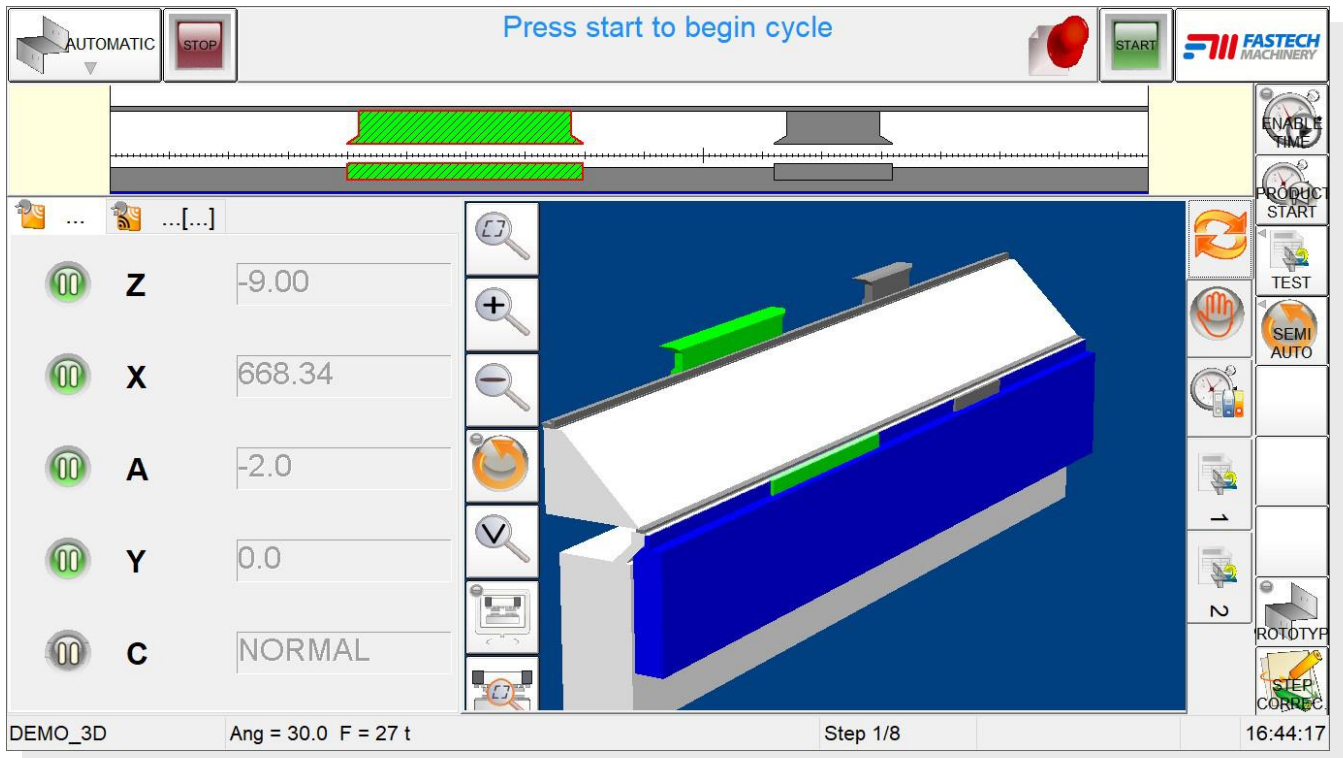
**3D Editor (only available in ERFOLD ADVANCED 3D):** You can draw the part in 3D view or you can import your part as DXF /STEP/IGS file by importing over an offline pc software. You can create standart flange bendings or open / closed hemming bends.



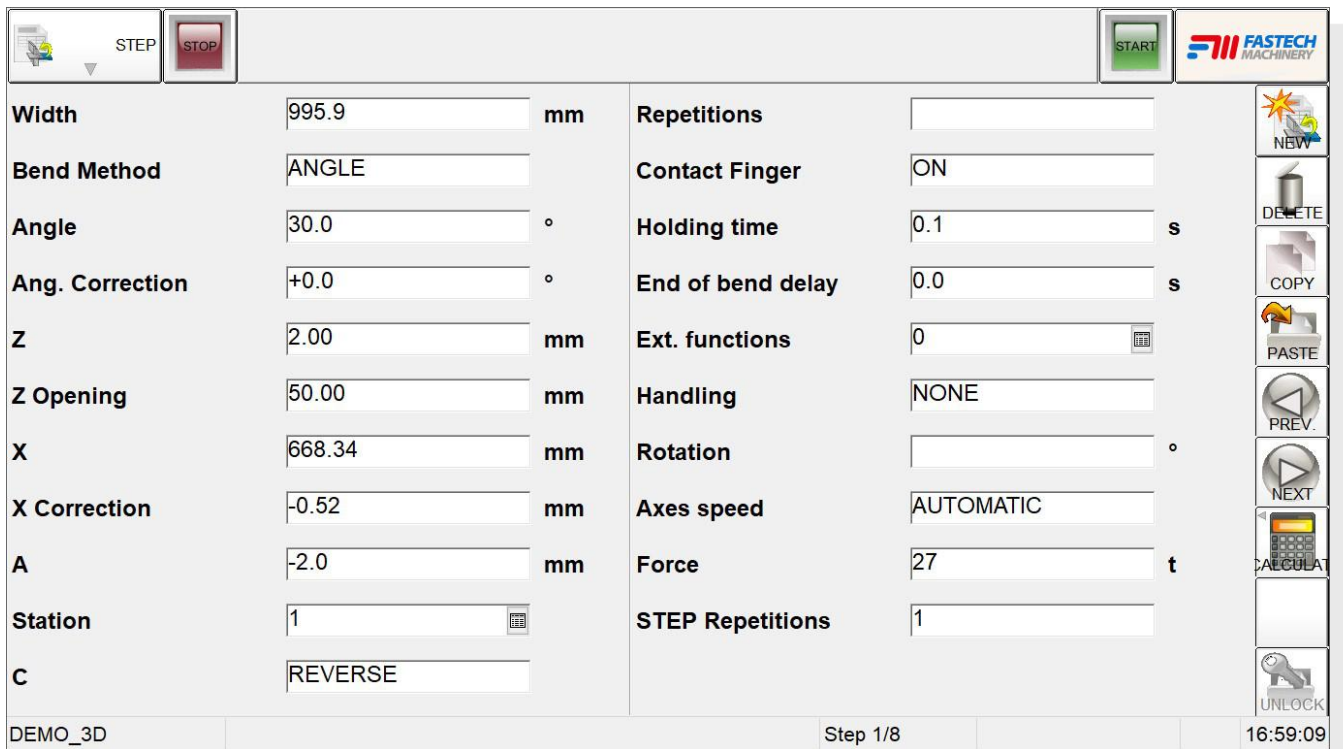
**Tool Up Menu:** You can do your tool setup easily by manual choice or by automatic tooling, you can determine different stations for different bends. In 3D version you can also import your tool data in STEP/IGES format and introduce your new tool to the machine.



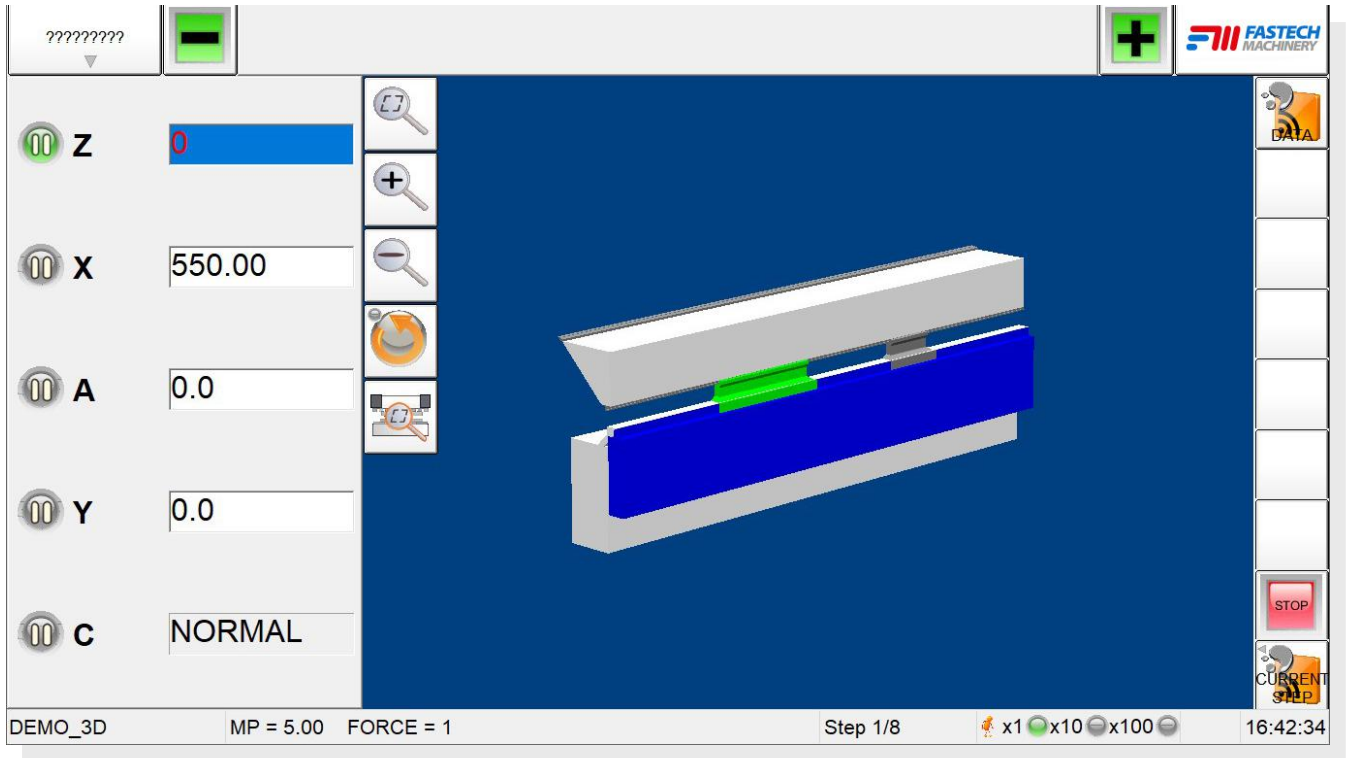
**Simulation Mode:** You can simulate the bending scenario of the part and check if you have any collisions to decide to change the part dimensions, tool setup or bending sequence of the part if needed.



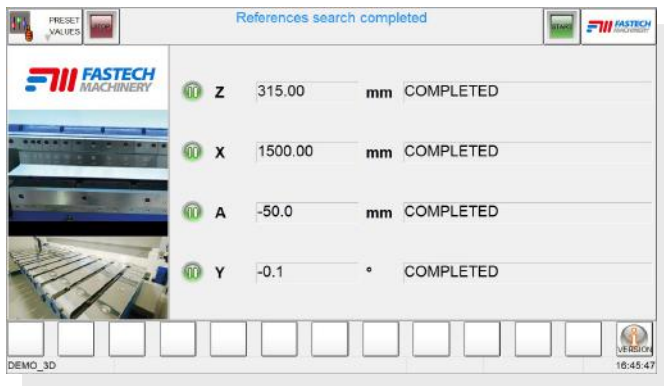
**Auto Cycle - Production Mode:** While you are running your pre-edited part's production, you can see the situation of the part in 3D and also machine axis target / actual positions in numeric value on the screen. You can also activate timer, piece counter or repetition for any kind of bend or part programme.



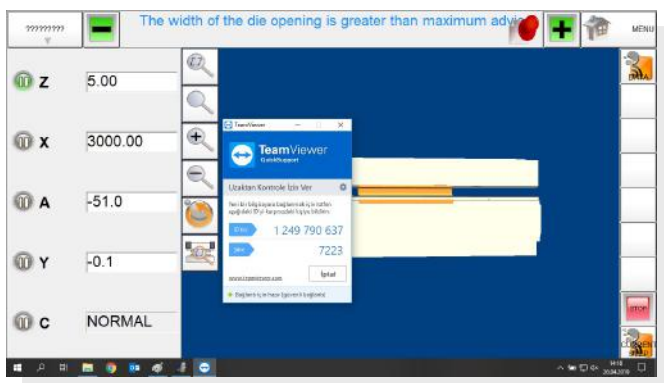
**Step Data Mode:** If you don't want to work with graphic or auto cycle mode, you can create a new bending programme by entering numeric values line by line or you can edit your pre-arranged data by changing axis movement like upper beam opening between the steps, bending beam angle correction or back gauge position correction and intervene the existing programme according to the material springback or shortening results.



**Movement / Manual Control Mode:** You can control the machine axis manually and individually to calibrate them one by one if needed.



**Axis Reference / Calibration/Preset Mode:** You can send all of your machine axes to their home positions automatically before starting a new part programme.



**Remote Service Connection:** When you connect your machine to the internet, it is enough just to click the remote service button and tell your teamviewer ID to our service to let us check and diagnose your machine remotely in case of a problem.





📍 Ahmet Yesevi Mh Bahçe Sk No: 11 Geçit Premium B Blok D:1 Nilüfer - Bursa / TÜRKİYE  
☎ +90 224 244 94 44 🌐 [www.fastechmachinery.com](http://www.fastechmachinery.com) ✉ [info@fastechmachinery.com](mailto:info@fastechmachinery.com)